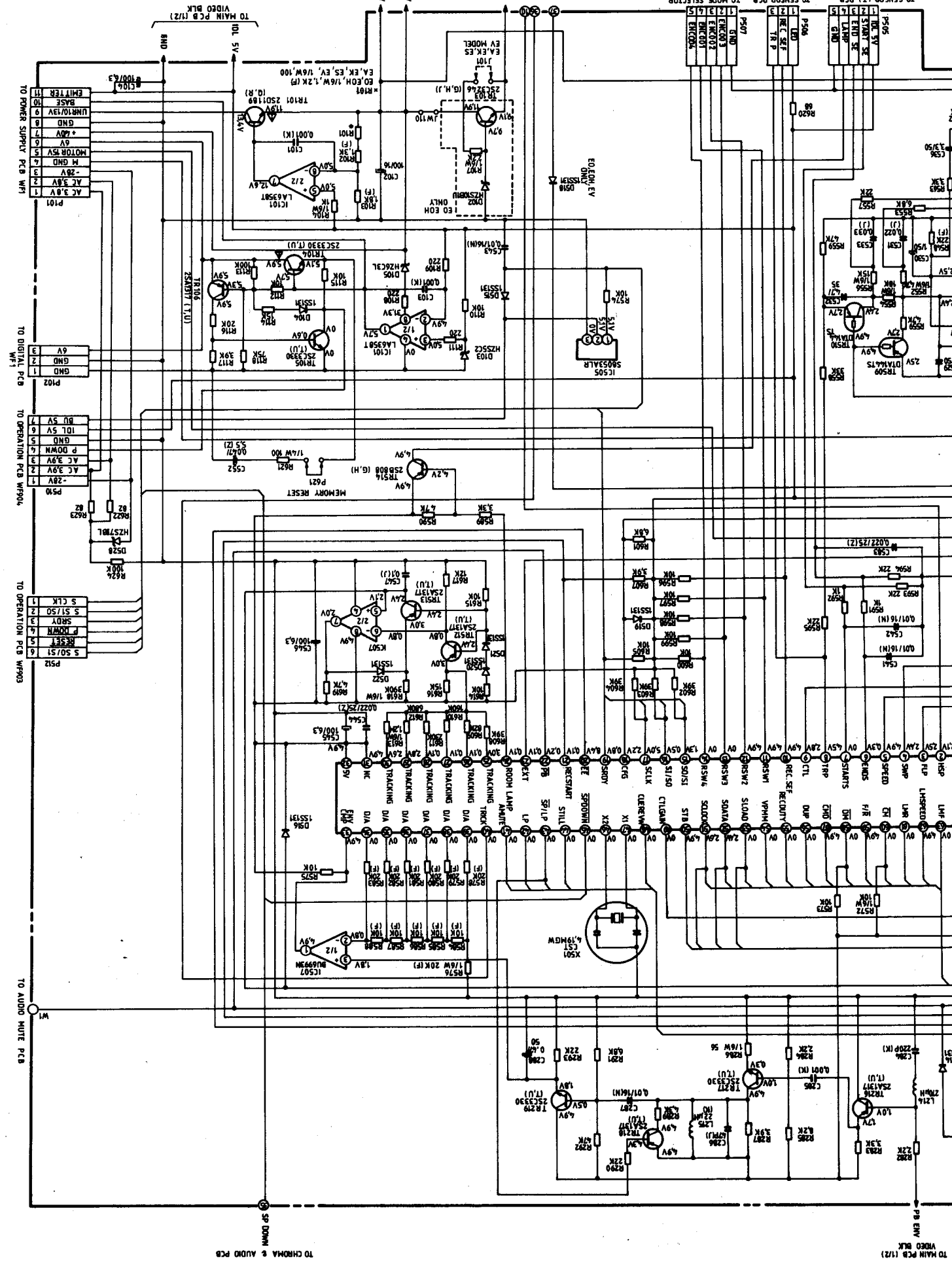


MAIN PCB (2/2)



TO POWER SUPPLY PCB W/1

TO DIGITAL PCB W/1

TO OPERATION PCB W/900

TO OPERATION PCB W/903

TO AUDIO WHITE PCB

TO CHROMA & AUDIO PCB

TO MAIN PCB (1/2)

TO VIDEO B/LK

TO SENSOR PCB

TO MODE SELECTOR

TO SENSOR PCB

TO SENSOR PCB

TO SENSOR PCB

TO SENSOR PCB

TO SENSOR PCB

TO SENSOR PCB

TO SENSOR PCB

TO SENSOR PCB

TO SENSOR PCB

TO SENSOR PCB

TO SENSOR PCB

TO SENSOR PCB

TO SENSOR PCB

TO SENSOR PCB

TO SENSOR PCB

TO SENSOR PCB

TO SENSOR PCB

TO SENSOR PCB

TO SENSOR PCB

TO SENSOR PCB

TO SENSOR PCB

TO SENSOR PCB

TO SENSOR PCB

TO SENSOR PCB

TO SENSOR PCB

TO SENSOR PCB

TO SENSOR PCB

TO SENSOR PCB

TO SENSOR PCB

TO SENSOR PCB

TO SENSOR PCB

TO SENSOR PCB

TO SENSOR PCB

TO SENSOR PCB

TO SENSOR PCB

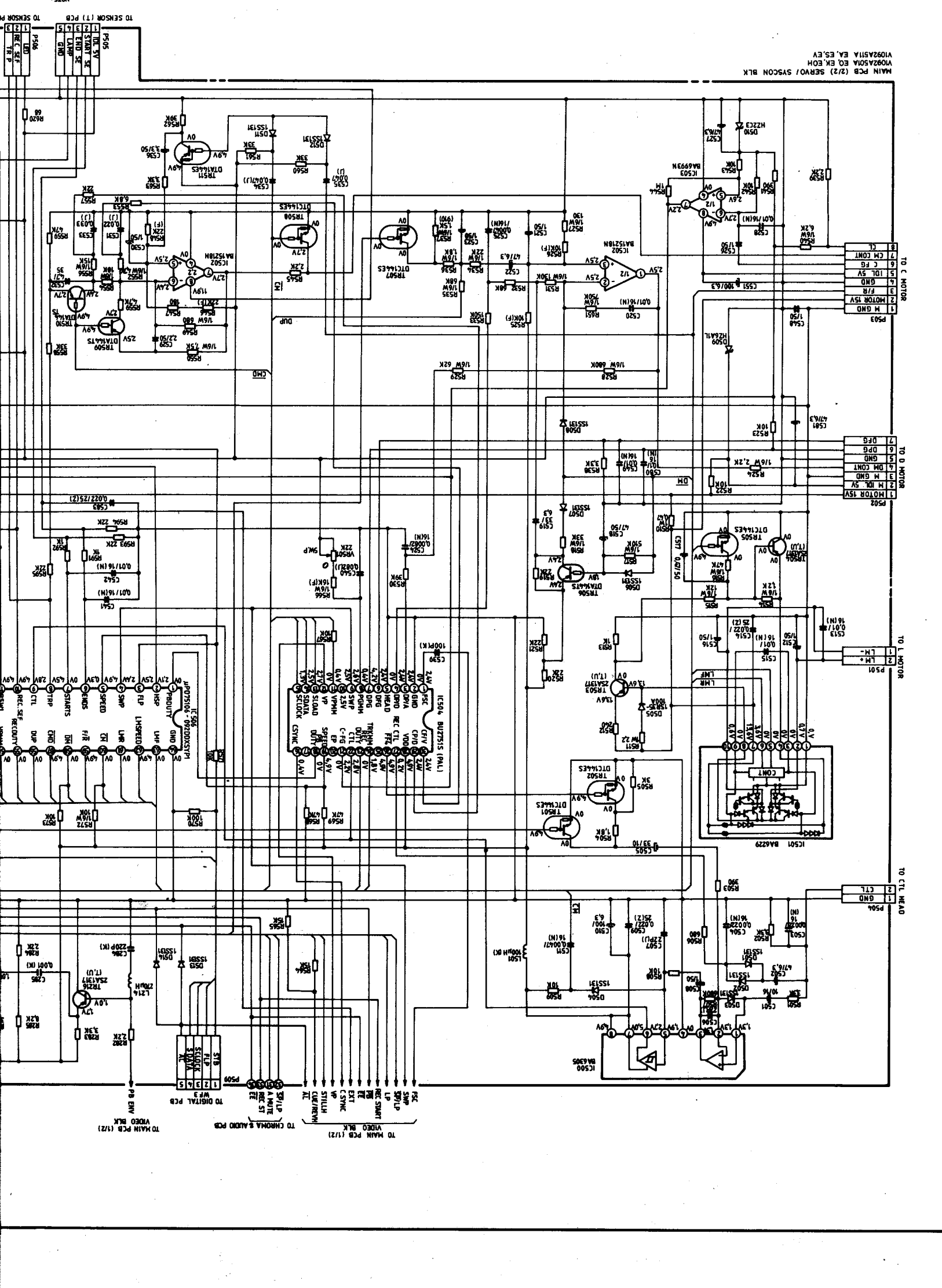
TO SENSOR PCB

TO SENSOR PCB

TO SENSOR PCB

TO SENSOR PCB

TO SENSOR PCB



TO C MOTOR
1 M GND
2 MOTOR 15V
3 F8
4 GND
5 10L 5V
6 C F8
7 CM CONT
8 CL

TO L MOTOR
1 MOTOR 15V
2 M DR 5V
3 F8
4 DM CONT
5 GND
6 DFG
7 DFG

TO L MOTOR
1 L M
2 L M
3 L M
4 L M
5 L M
6 L M
7 L M
8 L M

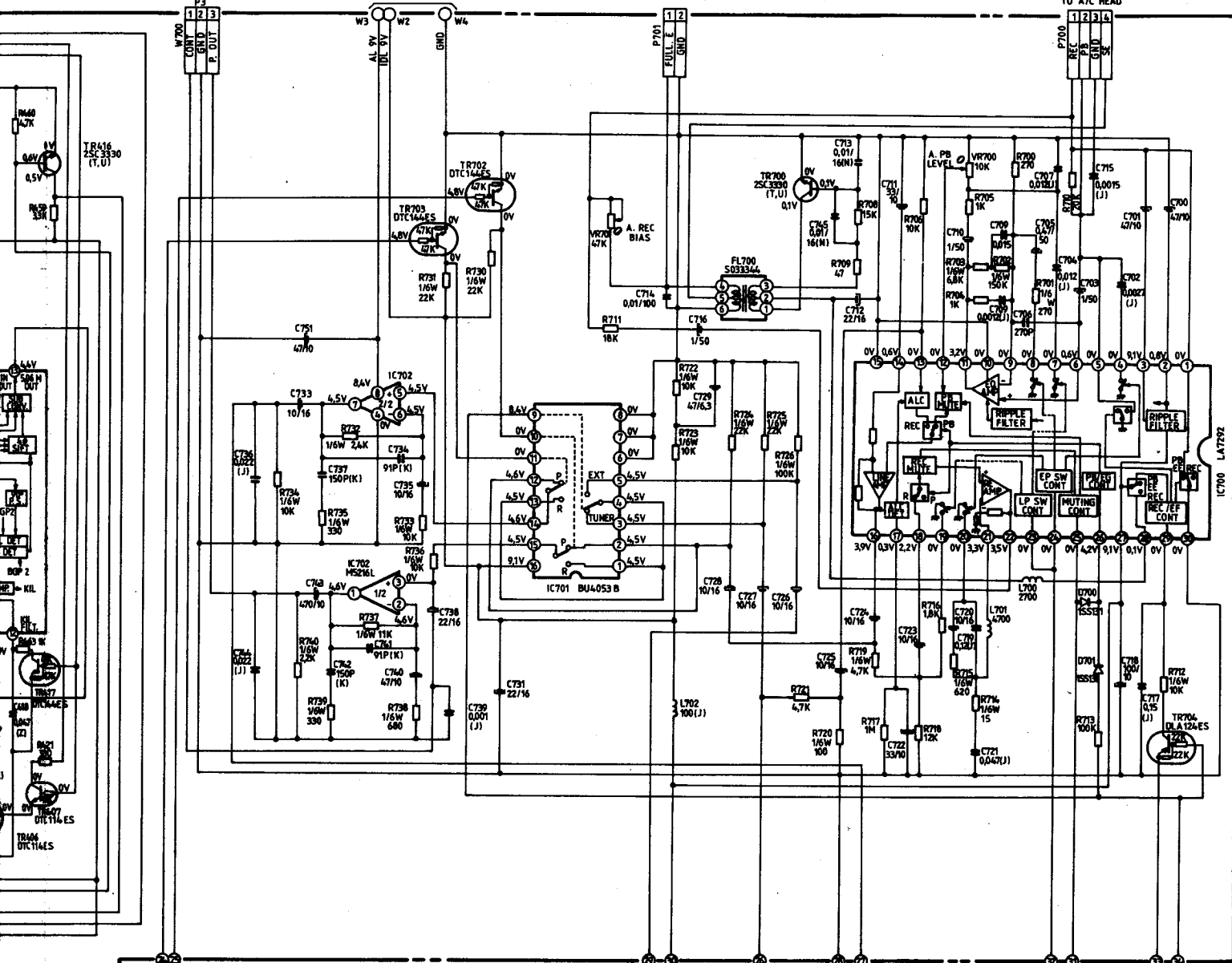
TO CTL HEAD
1 GND
2 CTL
3 CTL

TO MAIN PCB (1/2)
TO CHROMA & AUDIO PCB
TO DIGITAL PCB
TO VIDEO BLK (1/2)
TO VIDEO BLK

TO HEAD PHONE PCB

TO AUDIO MUTE PCB

TO A/C HEAD



CHROMA & AUDIO PCB V1092A501B EO, EK, EOH
 V1092A511B EA, ES, EV

TO MAIN PCB (1/2)
 VIDEO BLK

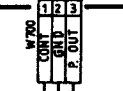
TO MAIN PCB (1/2)
 VIDEO BLK

TO MAIN PCB (1/2)
 SERVO / SYSCON BLK

NOTE
 UNLESS OTHERWISE SPECIFIED
 ALL RESISTORS IN OHMS 1/8W(J)
 ALL CAPACITORS IN μ F 50WV(M)
 ALL INDUCTORS IN μ H (K)

CHROMA & AUDIO PCB

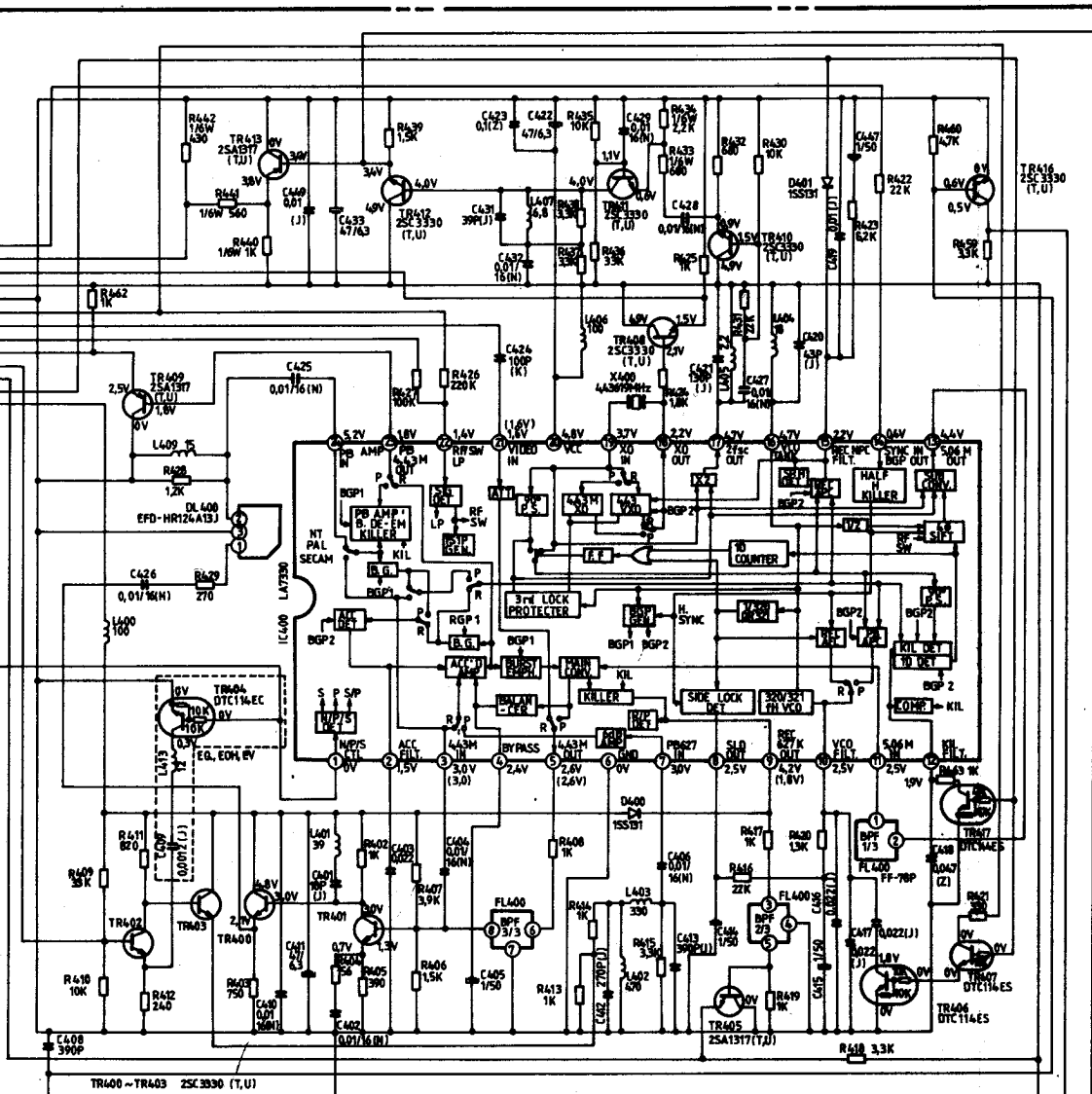
TO HEAD PHONE PCB



- 1 C.SYNC
- 2 2 FSC
- 3 FSC
- 4 1DL5V
- 5 GND
- 6 LP.HIGH
- 7 V.IH
- 8 HSP
- 9 PB.C.OUT
- 10 PB ENV
- 11 REC.C.OUT
- 12 TRUCK
- 13 PDSV
- 14 H.SECAM

- 1 1DL5V
- 2 C.V.OUT
- 3 E.E.V
- 4 PICTURE
- 5 EDIT.H
- 6 AFC.H
- 7 0V.SYNC

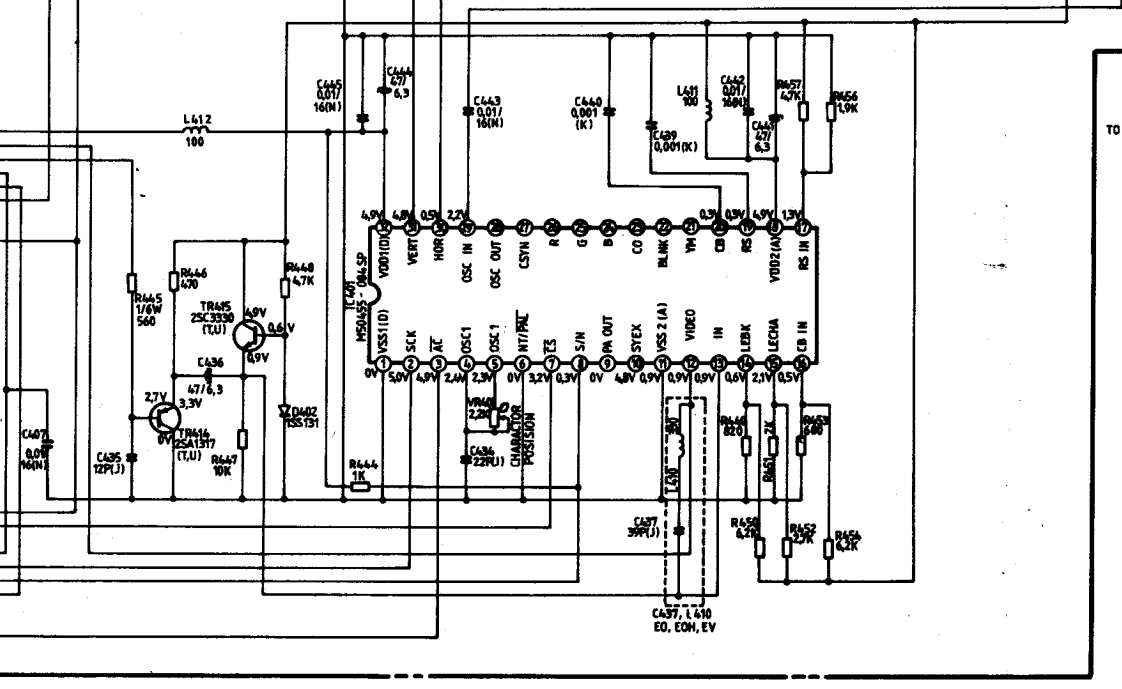
- TO MAIN PCB (P702)
- 1 V.SW
 - 2 V.SW
 - 3 SECAM.H
 - 4 PICTURE
 - 5 I.SW
 - 6 I.SW
 - 7 EDIT.H
- TO WFOZ

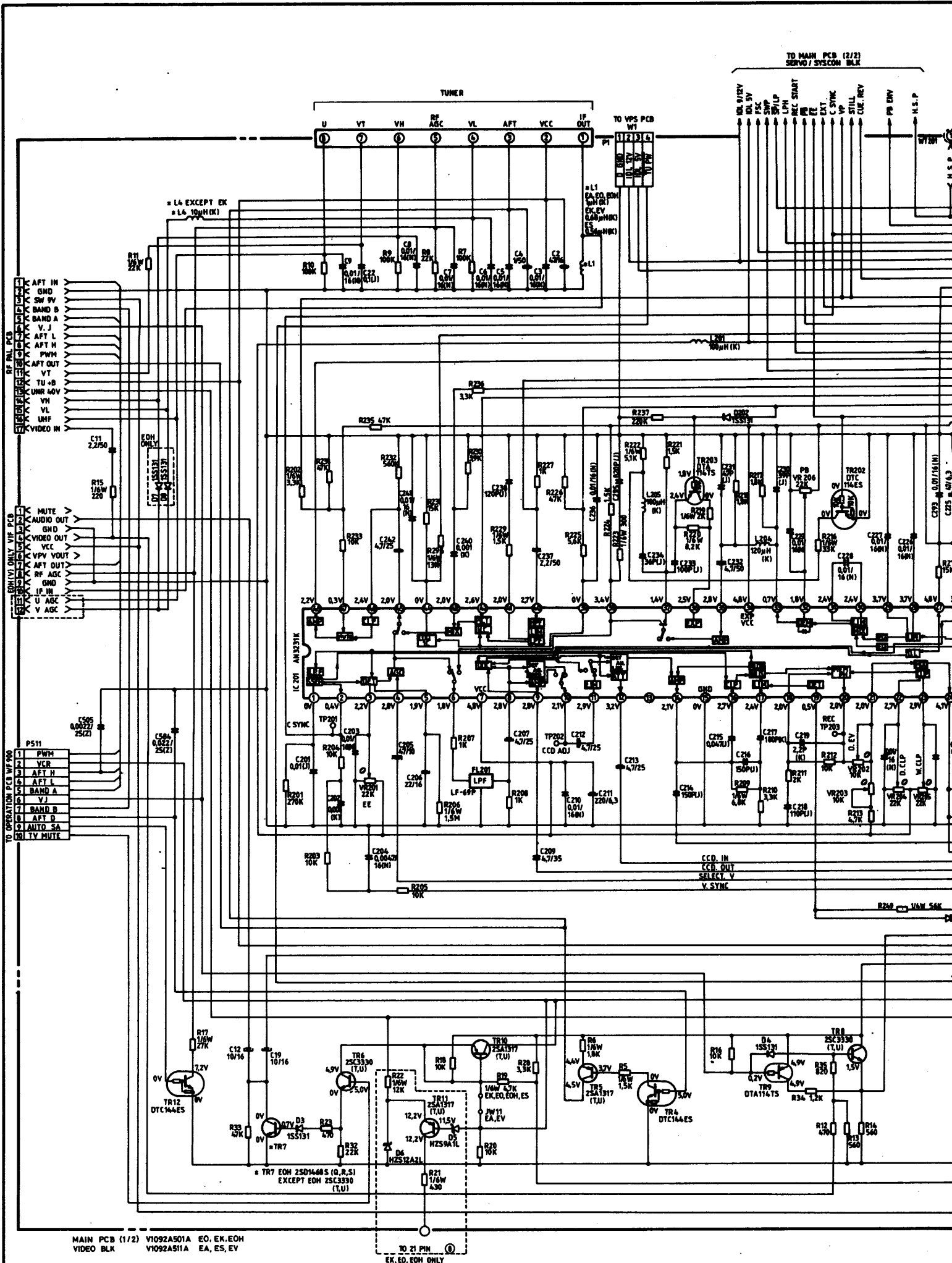


CHROMA & AUDIO PCB VIDEO



NOTE UNLESS OTHERWISE SPECIFIED ALL RESISTORS IN OHMS ALL CAPACITORS IN MICROFARADS ALL INDUCTORS IN MILLIHENRYS





TO MAIN PCB (2/2)
SERVO / SYS/COM BLK

TUNER

TO VPS PCB

RF INL PCB
AFT IN
GND
SM 0V
BAND B
BAND A
V. J
AFT L
AFT H
PWH
AFT OUT
VT
TU +B
UHF 40V
VH
VL
UHF
VIDEO IM

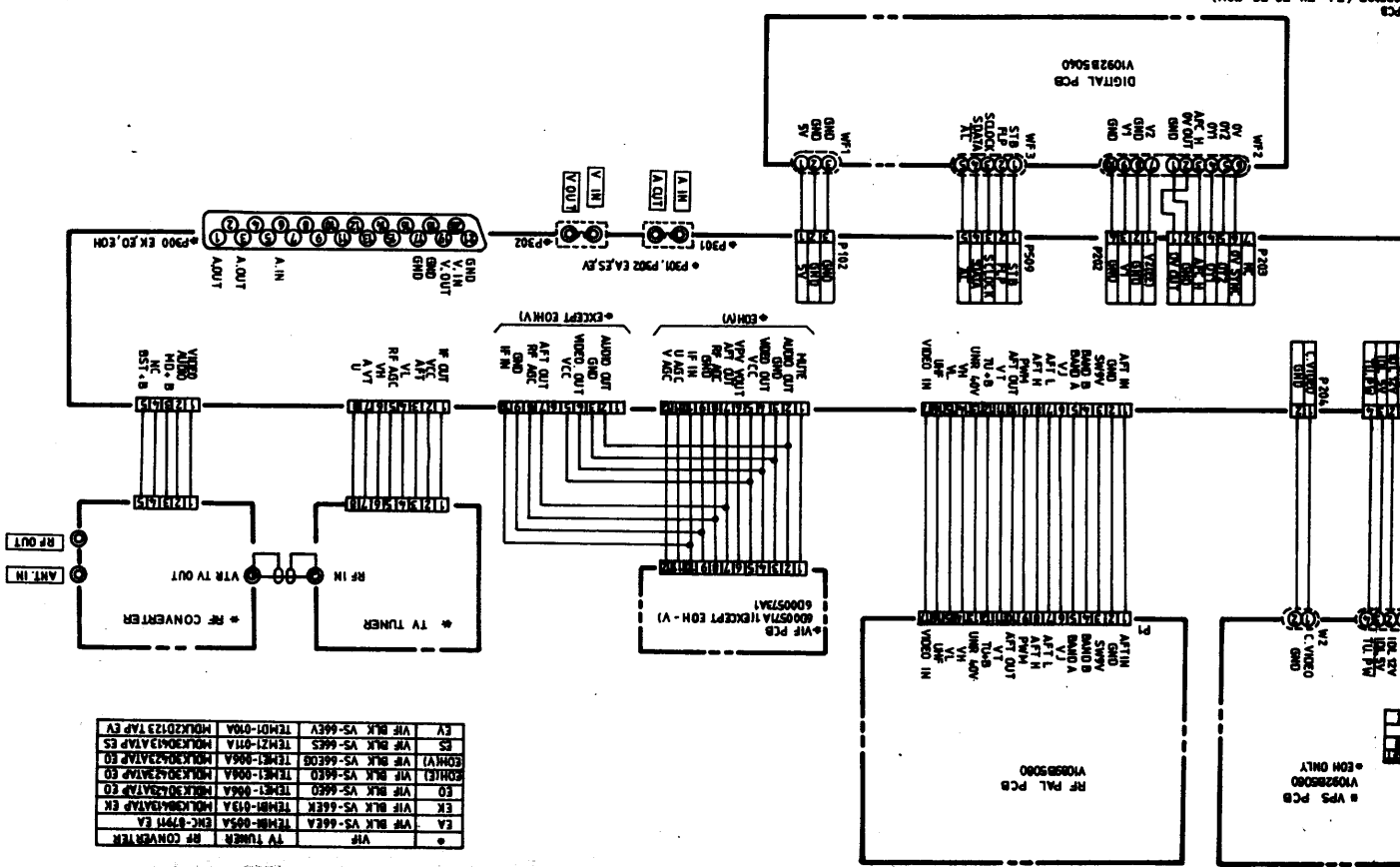
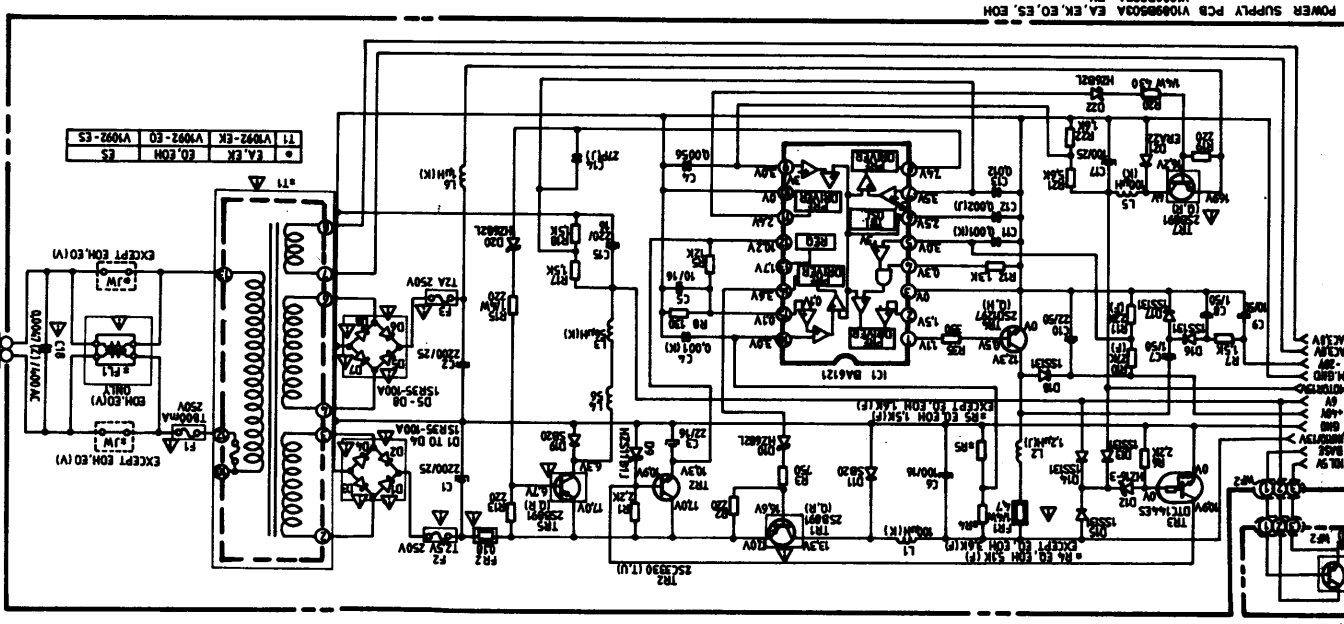
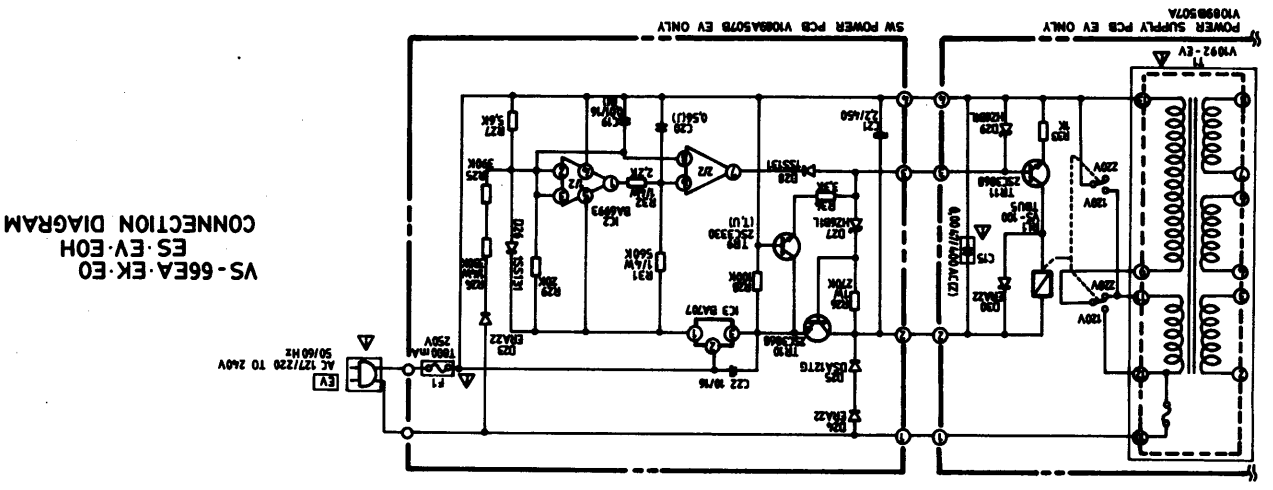
ONLY VIF PCB
MUTE
AUDIO OUT
GND
VIDEO OUT
VCC
VPV VOUT
AFT OUT
RF AGC
GND
IF IN
U AGC
V AGC

TO OPERATION PCB WF 000
1 PWM
2 VCR
3 AFT H
4 AFT L
5 BAND A
6 Y J
7 BAND B
8 AFT D
9 AUTO SA
10 TV MUTE

MAIN PCB (1/2) V1092A501A EO, EK, EOH
VIDEO BLK V1092A511A EA, ES, EV

TO 21 PIN
EK, EO, EOH ONLY

VS-66EA-EK-E0
ES-EV-E0H
CONNECTION DIAGRAM



EA	VF BLK VS-66EA	TEMR-005A	ENC-879H	EA
ER	VF BLK VS-66ER	TEMR-019A	HKR3063ATAP	ER
E0	VF BLK VS-66E0	TEMR-006A	HKR3063ATAP	E0
EH(EV)	VF BLK VS-66EH	TEMR-006A	HKR3063ATAP	EH(EV)
ES	VF BLK VS-66ES	TEMR-019A	HKR3063ATAP	ES
EV	VF BLK VS-66EV	TEMR-019A	HKR3063ATAP	EV

